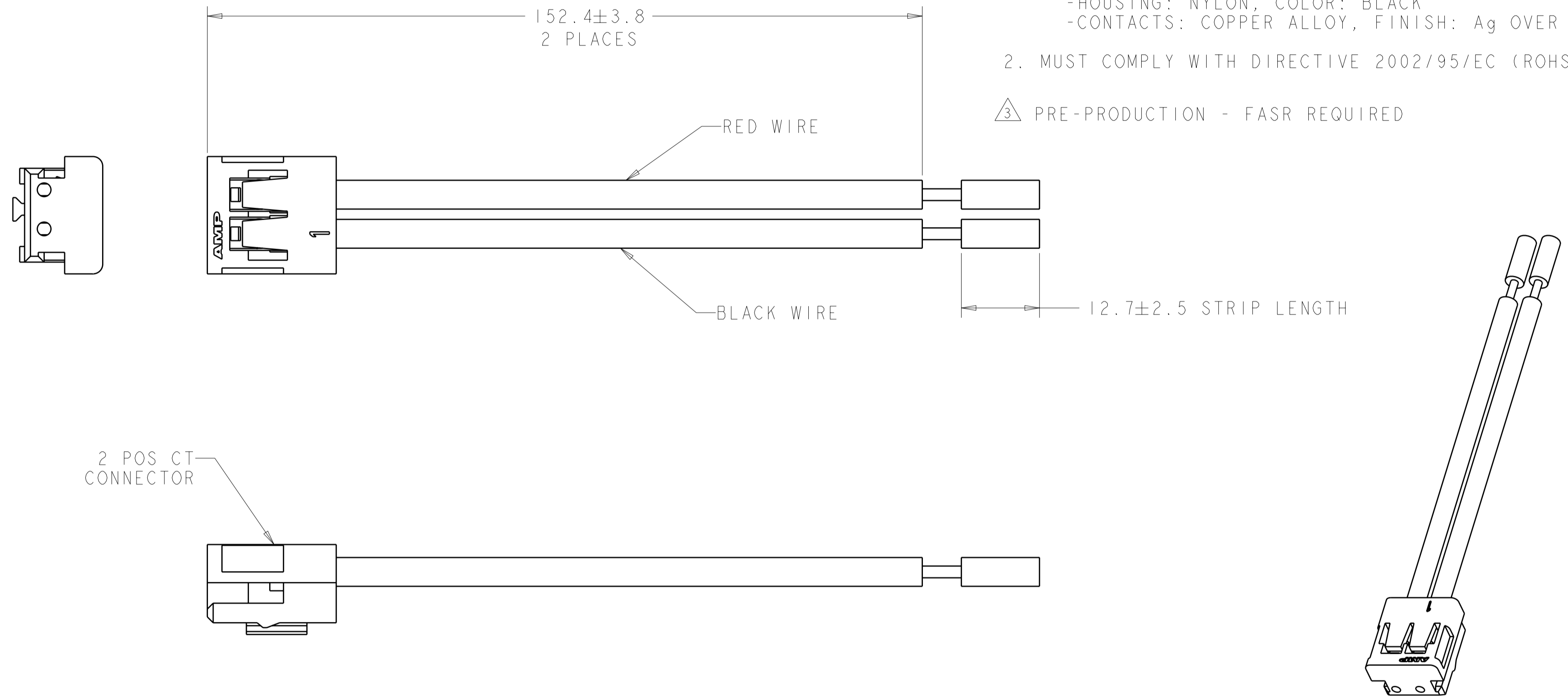


THIS DRAWING IS UNPUBLISHED. RELEASED FOR PUBLICATION 20  
 © COPYRIGHT 20 BY TYCO ELECTRONICS CORPORATION. ALL RIGHTS RESERVED.

LOC		DIST		REVISIONS			
P	LTR	DESCRIPTION	DATE	DWN	APVD		
-	-	A	REVISED PER ECR-09-011291	21MAY2009	HMR	DD	

NOTES:

- 1 MATERIALS AND FINISH:
  - HOUSING: NYLON, COLOR: BLACK
  - CONTACTS: COPPER ALLOY, FINISH: Ag OVER Sn
- 2. MUST COMPLY WITH DIRECTIVE 2002/95/EC (ROHS)
- 3 PRE-PRODUCTION - FASR REQUIRED



SCALE 4:1

3 2058077-1  
 PART NO.

<small>THIS DRAWING IS A CONTROLLED DOCUMENT FOR TYCO ELECTRONICS CORPORATION          IT IS SUBJECT TO CHANGE AND THE CONTROLLING ENGINEERING ORGANIZATION          SHOULD BE CONTACTED FOR THE LATEST REVISION.</small>		DWN S. FISHER 28FEB2008 CHK C. GINGRICH 28FEB2008 APVD - PRODUCT SPEC - APPLICATION SPEC 114-5179 WEIGHT - CUSTOMER DRAWING	Tyco Electronics Harrisburg, PA 17105-3608 NAME CABLE ASSEMBLY CT 2 POSITION SIZE A200779 CAGE CODE C-2058077 DRAWING NO. 2058077 RESTRICTED TO - SCALE NTS SHEET 1 OF 1 REV A
DIMENSIONS: mm 	TOLERANCES UNLESS OTHERWISE SPECIFIED: 0 PLC ±- 1 PLC ±- 2 PLC ±- 3 PLC ±- 4 PLC ±- ANGLES ±- FINISH	1 	1 