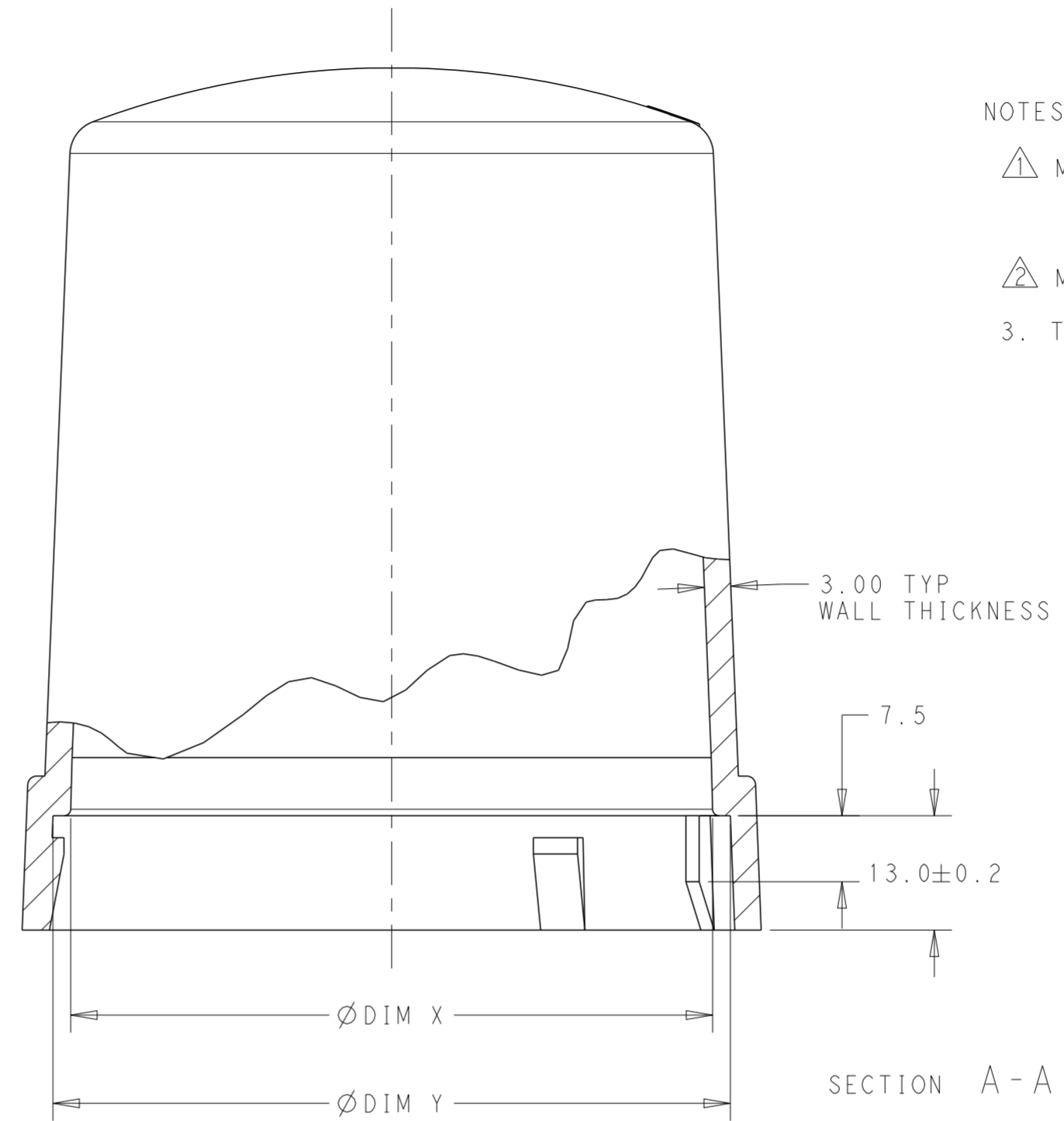
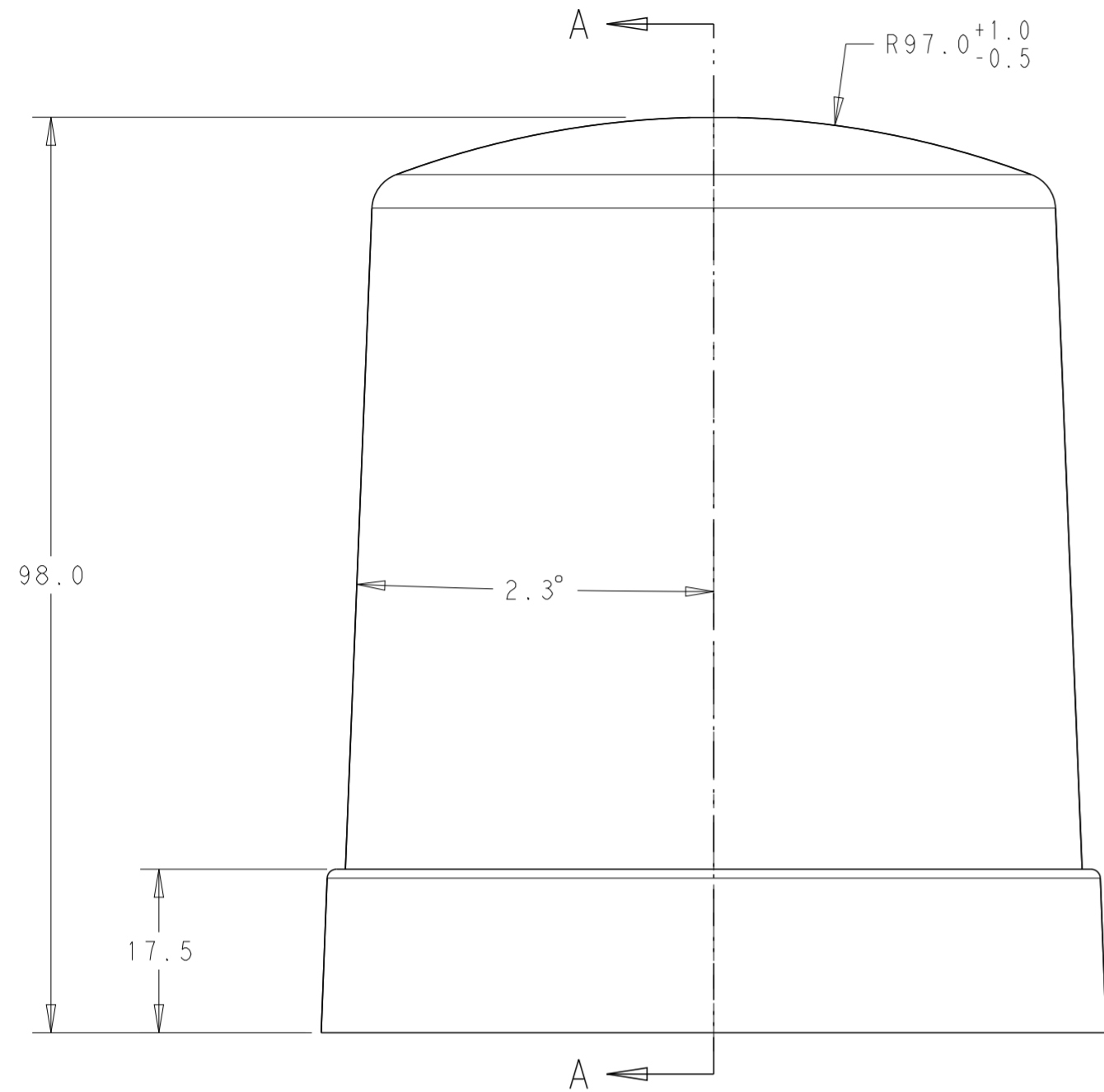


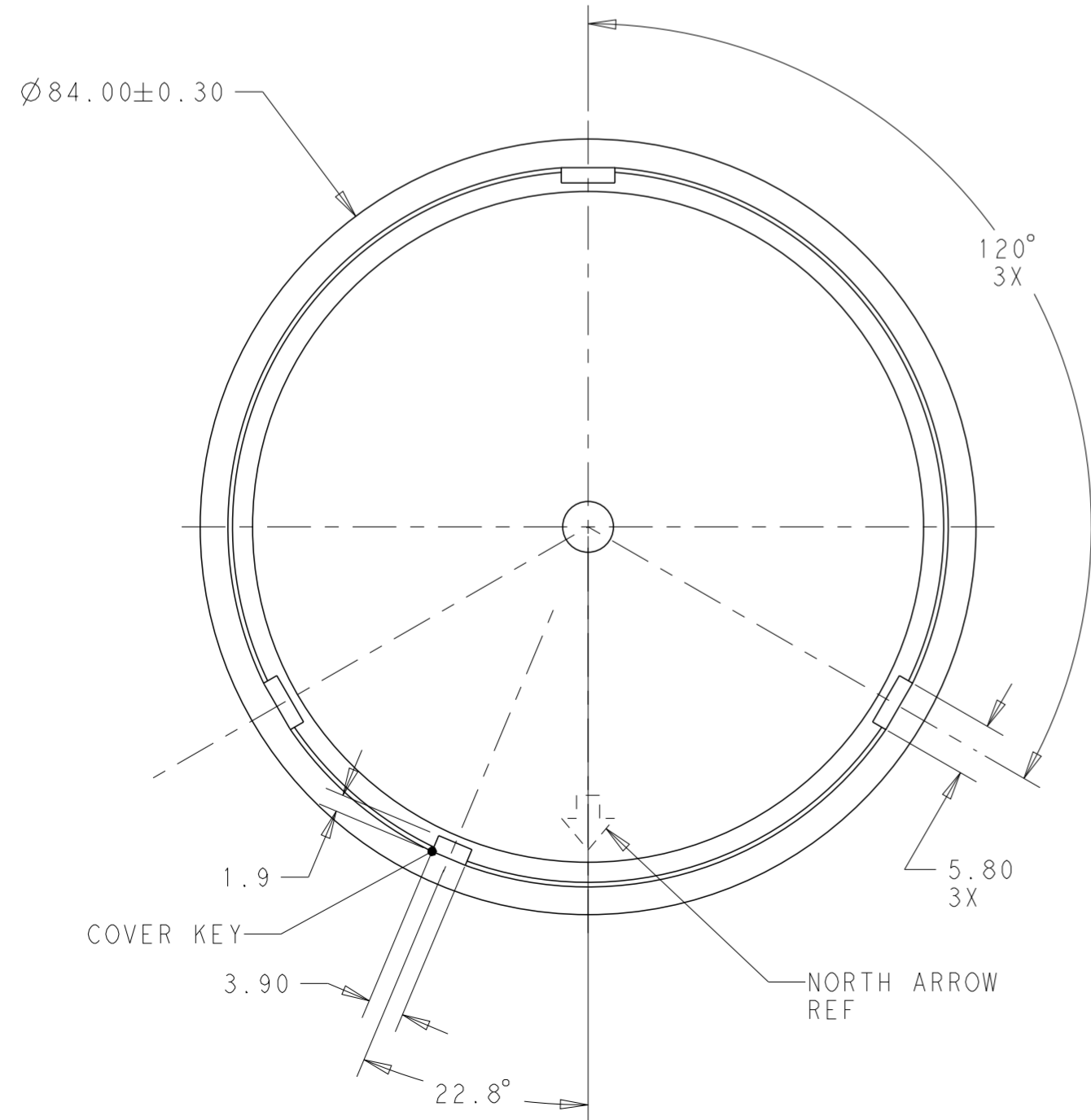
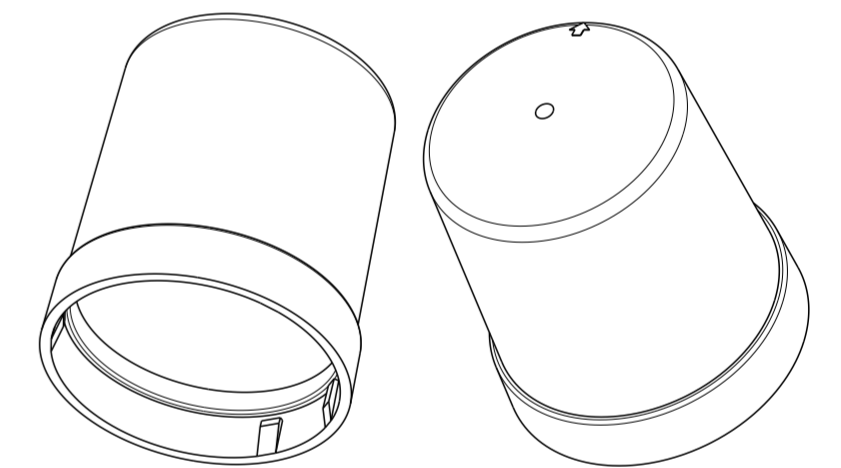
THIS DRAWING IS UNPUBLISHED. RELEASED FOR PUBLICATION 20  
 © COPYRIGHT 20 BY - ALL RIGHTS RESERVED.

REVISIONS				
P	LTR	DESCRIPTION	DATE	APVD
A		REVISED PER ECR-16-006614	10MAY2016	RS DD
A1		REVISED PER ECR-16-008842	22JUN2016	RS DD
A2		REVISED PER ECR-16-012776	08SEP2016	RS PO



NOTES:

- 1 MATERIALS:  
HOUSING: POLYCARBONATE, UV 5VA RATED  
COLOR: SEE TABLE
- 2 MATING BASE TE P/N: 2213730-X
- 3. THIS PRODUCT HAS NOT COMPLETED VALIDATION TESTING.



78%	TRANSPARENT CLEAR	Ø 77.0	Ø 73.0	1-2213748-1
24%	TRANSLUCENT SMOKE	Ø 77.0	Ø 73.0	2213748-1
APPROX LIGHT TRANSMISSION	COLOR	DIM Y	DIM X	PART NO.
THIS DRAWING IS A CONTROLLED DOCUMENT.		DWN C DAILY 30OCT2015	<b>STE</b> TE Connectivity	
		CHK E HOWARD 30OCT2015		
DIMENSIONS: mm		NAME COVER, LIGHT CONTROLLER		
TOLERANCES UNLESS OTHERWISE SPECIFIED:		SIZE A2		
0 PLC ±	1 PLC ±0.2	CAGE CODE -		
2 PLC ±0.13	3 PLC ±	DRAWING NO C-2213748		
4 PLC ±	ANGLES ±3°	RESTRICTED TO -		
FINISH -	-	SCALE 3:2 SHEET 1 OF 1 REV A2		
MATERIAL -		CUSTOMER DRAWING		