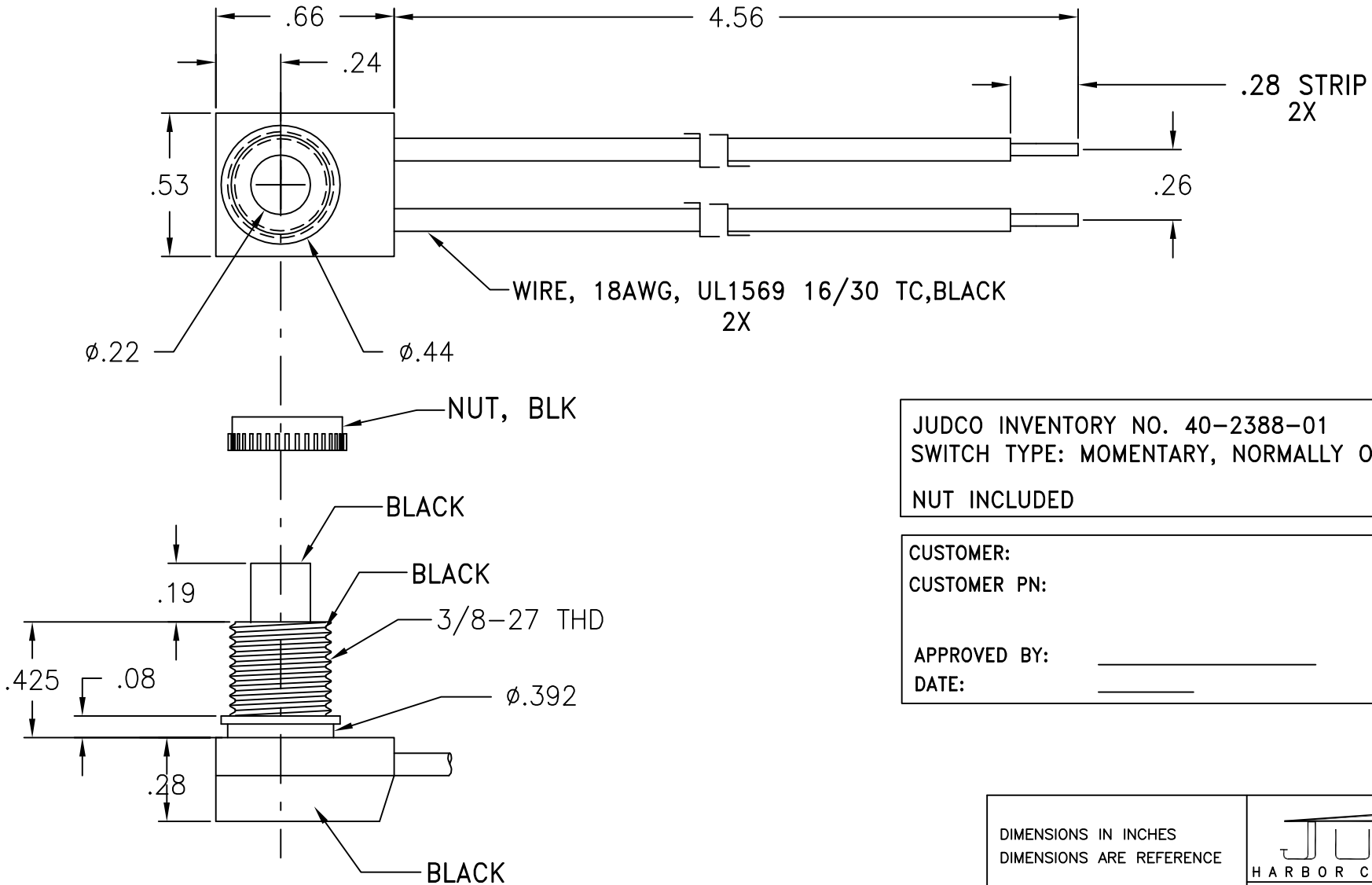



LTR	EN	DESCRIPTION	APPR	BY	DATE
A	-	INITIAL RELEASE	RB	DC	08-14-06



JUDCO INVENTORY NO. 40-2388-01  
 SWITCH TYPE: MOMENTARY, NORMALLY OPEN  
 NUT INCLUDED

CUSTOMER:  
 CUSTOMER PN:  
 APPROVED BY: \_\_\_\_\_  
 DATE: \_\_\_\_\_

DIMENSIONS IN INCHES DIMENSIONS ARE REFERENCE	 HARBOR CITY CALIFORNIA
DRAWN: DC 08-14-06	DWG. NO. 1415-1012
APPR: KJ 08-14-06	SHEET 1 OF 1
1415U1012A.DWG	

This document embodies a product, component, and/or design proprietary to JUDCO MANUFACTURING INC., and which is protected either as a trade secret, by U.S. Patent, or by copyright. It may not be used in any way without written express consent of JUDCO MANUFACTURING INC.