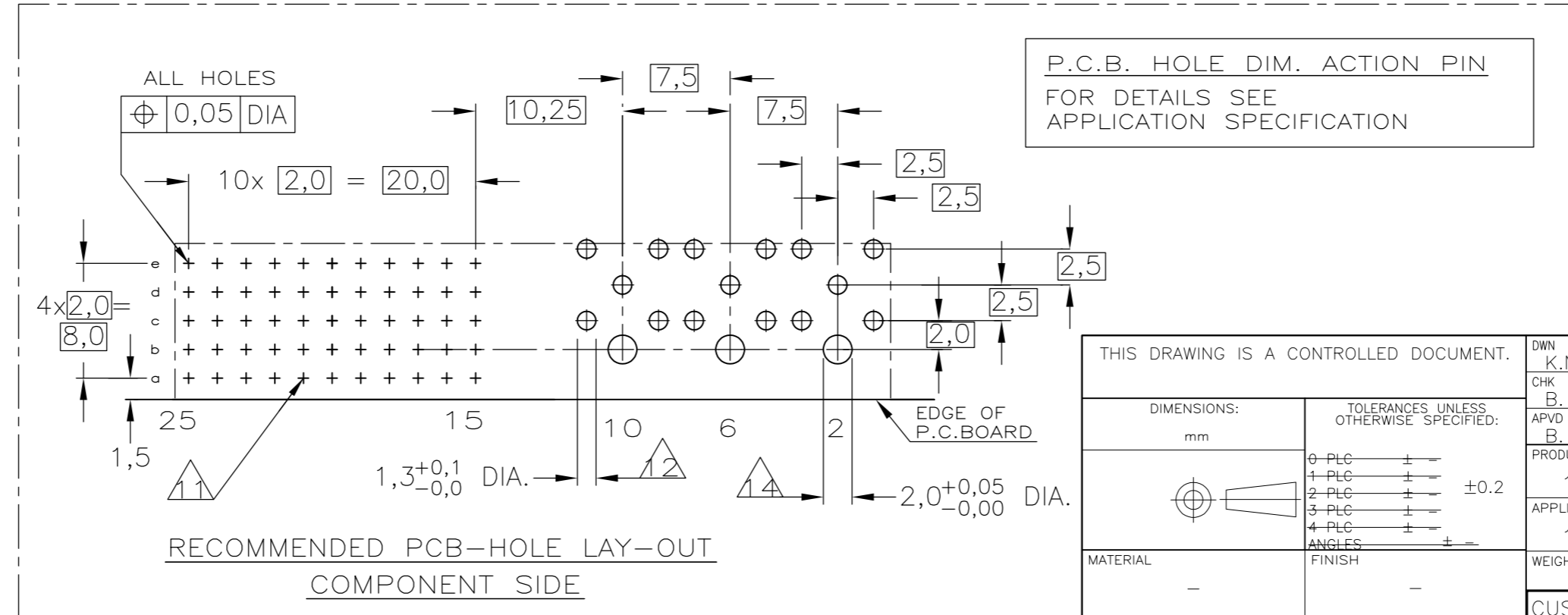
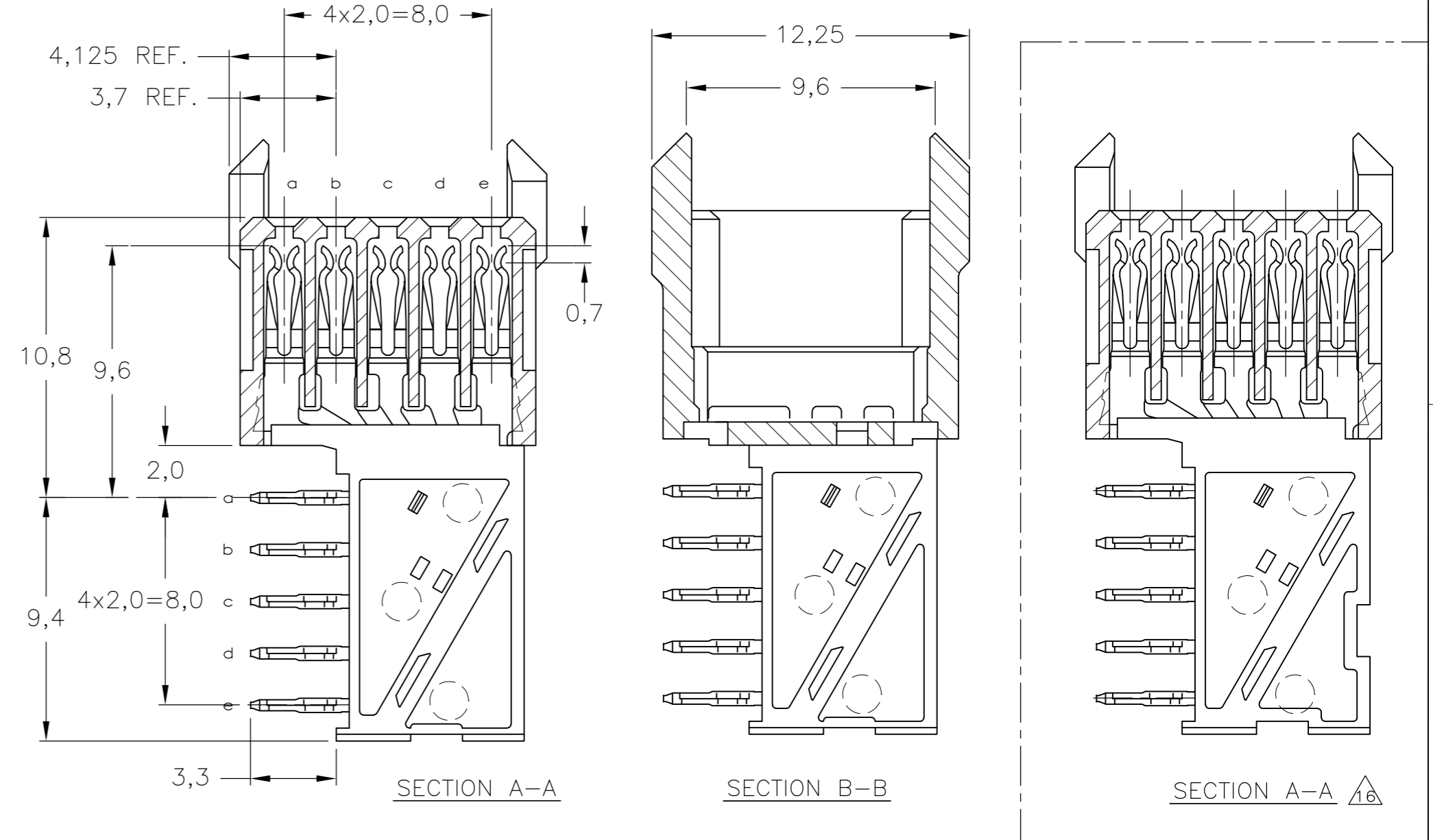
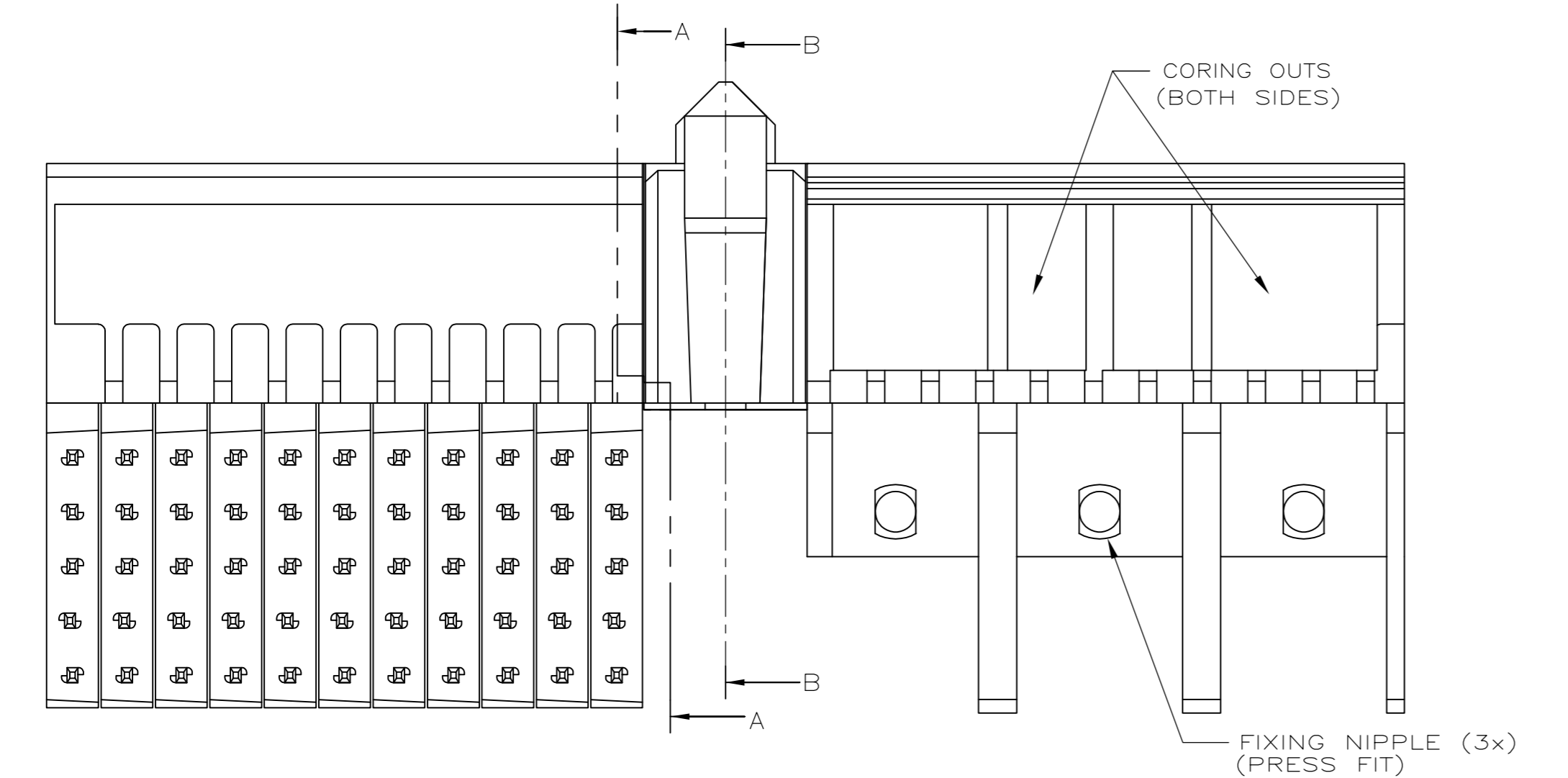
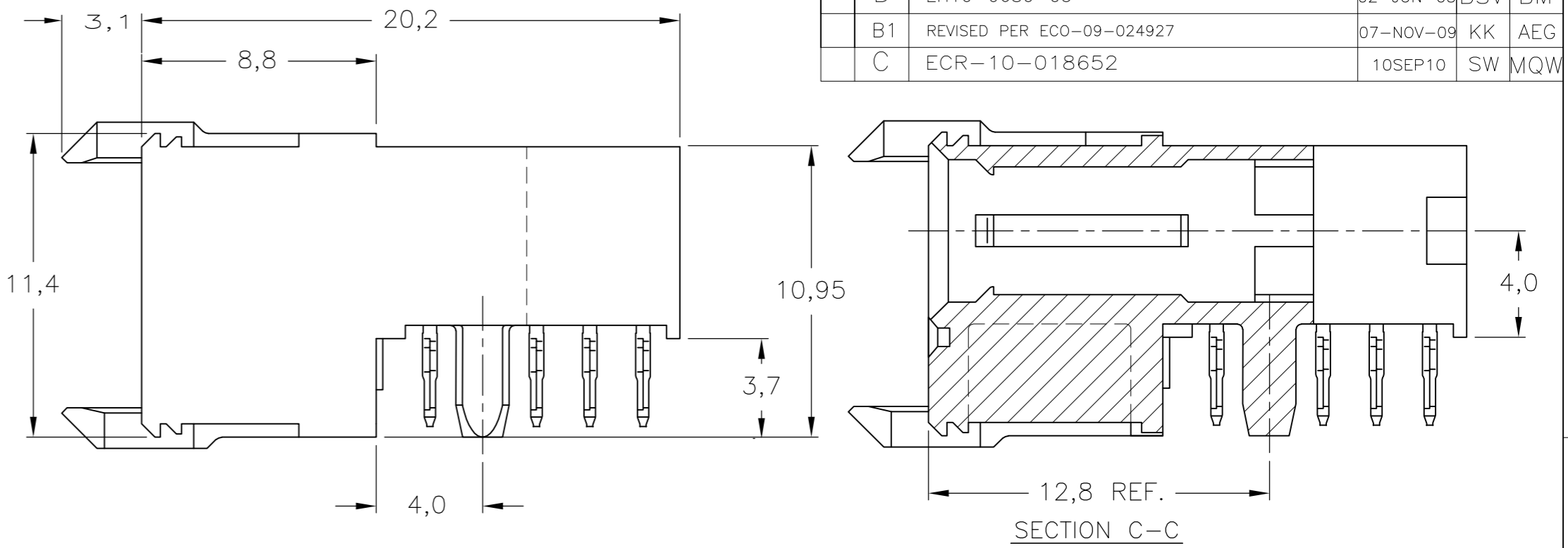
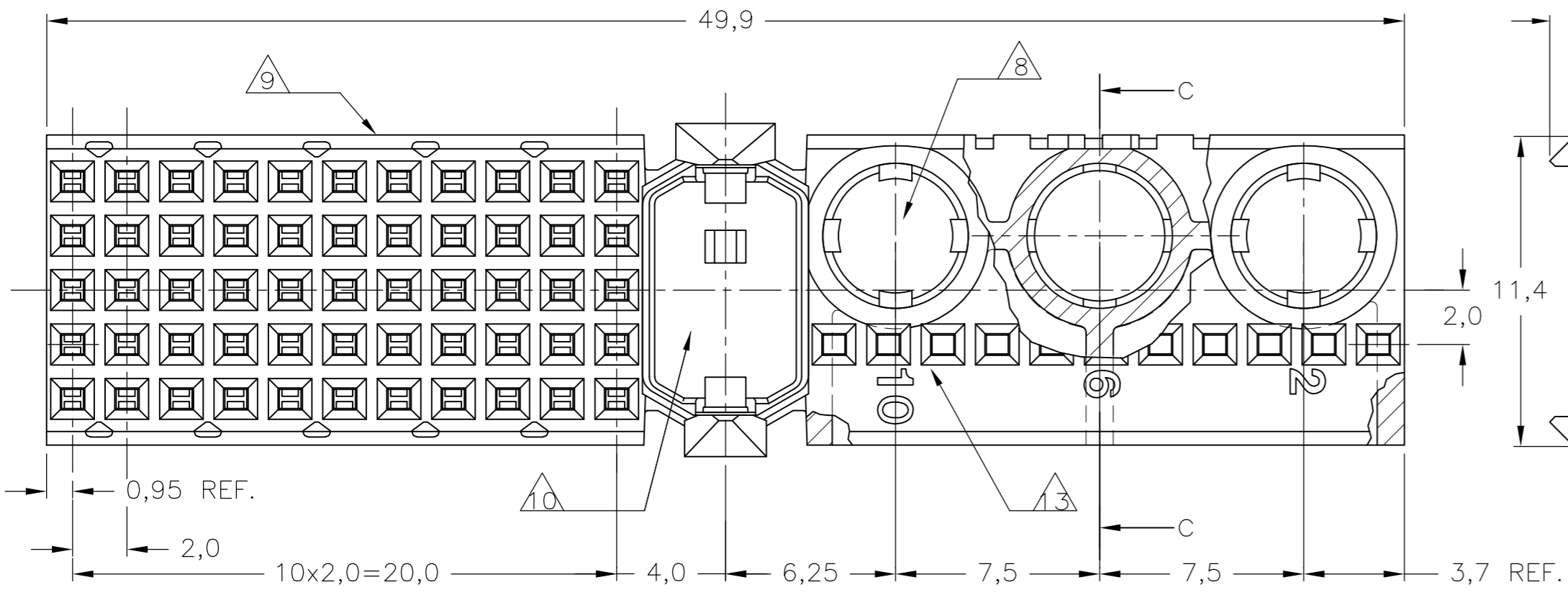


THIS DRAWING IS UNPUBLISHED. RELEASED FOR PUBLICATION
 © COPYRIGHT BY TYCO ELECTRONICS CORPORATION. ALL RIGHTS RESERVED.

LOC	DIST	REVISIONS					
H	-	P	LTR	DESCRIPTION	DATE	DWN	APVD
		B		EH10-0680-05	02-JUN-05	BSV	BM
		B1		REVISED PER ECO-09-024927	07-NOV-09	KK	AEG
		C		ECR-10-018652	10SEP10	SW	MQW



FINISH	MATERIALS	PARTNUMBER
2 6 7	1	1-5100750-9
2 5 7	1	5100750-9
2 4	1	5100750-4
2 3	1	5100750-1

THIS DRAWING IS A CONTROLLED DOCUMENT.		DWN: K.N.KIRAN 10AUG2004	Tyco Electronics Corporation s-Hertogenbosch, 5222AR-32	
DIMENSIONS: mm	TOLERANCES UNLESS OTHERWISE SPECIFIED:	CHK: B. MOOIJ 23SEP2004	NAME: Z-PACK 2mm HM TYPE M FEMALE CONNECTOR	
	0 PLG ±	APVD: B. MOOIJ 23SEP2004	APPLICATION SPEC: 108-19082	
	1 PLG ±		114-19029	
	2 PLG ±		SIZE: A2	CAGE CODE: 00779
	3 PLG ±		DRAWING NO: C=5100750	RESTRICTED TO: -
	4 PLG ±		SCALE: 5:1	SHEET: 1 OF 2
MATERIAL: -	FINISH: -	WEIGHT: -	REV: C	
CUSTOMER DRAWING				

THIS DRAWING IS UNPUBLISHED. RELEASED FOR PUBLICATION
 © COPYRIGHT BY TYCO ELECTRONICS CORPORATION. ALL RIGHTS RESERVED.

LOC	DIST	REVISIONS					
		P	LTR	DESCRIPTION	DATE	DWN	APVD
H	-	-	-	SEE SHEET 1	-	-	-

NOTES:

- 1 MATERIAL HOUSING : GREY GLASSFILLED POLYESTER.
MATERIAL CONTACTS: PHOSPHORBRONZE.
- 2 GENERAL PLATING SPECIFICATION: UNDERPLATING
(ENTIRE CONTACT): 1,27µm NICKEL MIN. AND ACTION
PIN: 0,5µm TIN MIN.
FOR PLATING OF MATING SURFACES SEE APPLICABLE
SPECIFICATION REFERENCE FOR EACH DASH NUMBER.
- 3 CONFORMS TO ALL TESTING ACCORDING IEC 61076-4-101
PERFORMANCE LEVEL 2.
- 4 CONFORMS TO ALL TESTING ACCORDING IEC 61076-4-101
PERFORMANCE LEVEL 1.
- 5 CONNECTOR TESTED AND QUALIFIED AGAINST TELCORDIA GR-1217-CORE QUALITY LEVEL III,
CENTRAL OFFICE APPLICATIONS.
- 6 CONNECTOR TESTED AND QUALIFIED AGAINST TELCORDIA GR-1217-CORE QUALITY LEVEL III,
UNCONTROLLED ENVIRONMENT APPLICATIONS.
- 7 CONNECTOR LUBRICATED WITH TELCORDIA GR-1217-CORE APPROVED LUBRICANT.
- 8 CONTACT CAVITIES (3x) SUITABLE FOR 4,8 DIA. HIGH CURRENT,
HIGH FREQUENCY OR FIBRE OPTIC CONTACTS AS PER DIN 41626
(SEE ALSO NOTE 12).
- 9 CONNECTOR PRINTED WITH PARTNUMBER AND DATECODE.
THE MARKING CAN APPEAR ON THE FRONT SIDE OR ON THE BACK SIDE.
- 10 AREA RESERVED FOR KEYING PART, BASIC P/N 100526.
- 11 PLATED-THROUGH HOLES AT 2x2mm SQUARE GRID (55 HOLES).
- 12 1,3 DIA. PLATED-THROUGH HOLES (15x) CAN BE OMITTED
IF SPECIAL CONTACTS WITH CABLE CONNECTION OR FIBRE
OPTIC CONTACTS ARE USED.
- 13 THIS ROW OF 11 CAVITIES (B1 TO B11) FOR
CONNECTOR ASSEMBLY PURPOSE ONLY.
- 14 NOT PLATED-THROUGH HOLES (3x).
- 15 FITS WITH INTEGRATED GROUND RETURN UPPERSHIELD,
BASIC P.N. 5352111 AND INTEGRATED GROUND
RETURN LOWERSHIELD, BASIC P.N. 5352112
- 16 CONNECTOR ASSEMBLED WITH REDESIGNED CONTACTS.
CONTACTS HAVE A CORING-OUT IN THE PLASTIC.
- 17 OBSOLETE PARTS: OBSOLETE CIS STREAMLINING PER D.RENAUD/D.SINISI

THIS DRAWING IS A CONTROLLED DOCUMENT.		DWN K.N.KIRAN 10AUG2004	Tyco Electronics Corporation Tyco Electronics Corporation 's-Hertogenbosch,5222AR-32															
DIMENSIONS: mm		CHK B. MOOIJ 23SEP2004	NAME Z-PACK 2mm HM TYPE M FEMALE CONNECTOR															
TOLERANCES UNLESS OTHERWISE SPECIFIED: ±0.2		APVD B. MOOIJ 23SEP2004	RESTRICTED TO															
<table border="1"> <tr><td>Ø PLG</td><td>±</td></tr> <tr><td>1 PLG</td><td>±</td></tr> <tr><td>2 PLG</td><td>±</td></tr> <tr><td>3 PLG</td><td>±</td></tr> <tr><td>4 PLG</td><td>±</td></tr> <tr><td>ANGLES</td><td>±</td></tr> <tr><td>FINISH</td><td>-</td></tr> </table>		Ø PLG	±	1 PLG	±	2 PLG	±	3 PLG	±	4 PLG	±	ANGLES	±	FINISH	-	PRODUCT SPEC 108-19082	SIZE A2	CAGE CODE 00779
Ø PLG	±																	
1 PLG	±																	
2 PLG	±																	
3 PLG	±																	
4 PLG	±																	
ANGLES	±																	
FINISH	-																	
MATERIAL -		APPLICATION SPEC 114-19029	DRAWING NO C=5100750															
		WEIGHT -	SCALE 5:1															
		CUSTOMER DRAWING		SHEET 2 OF 2														
				REV C														

5100750