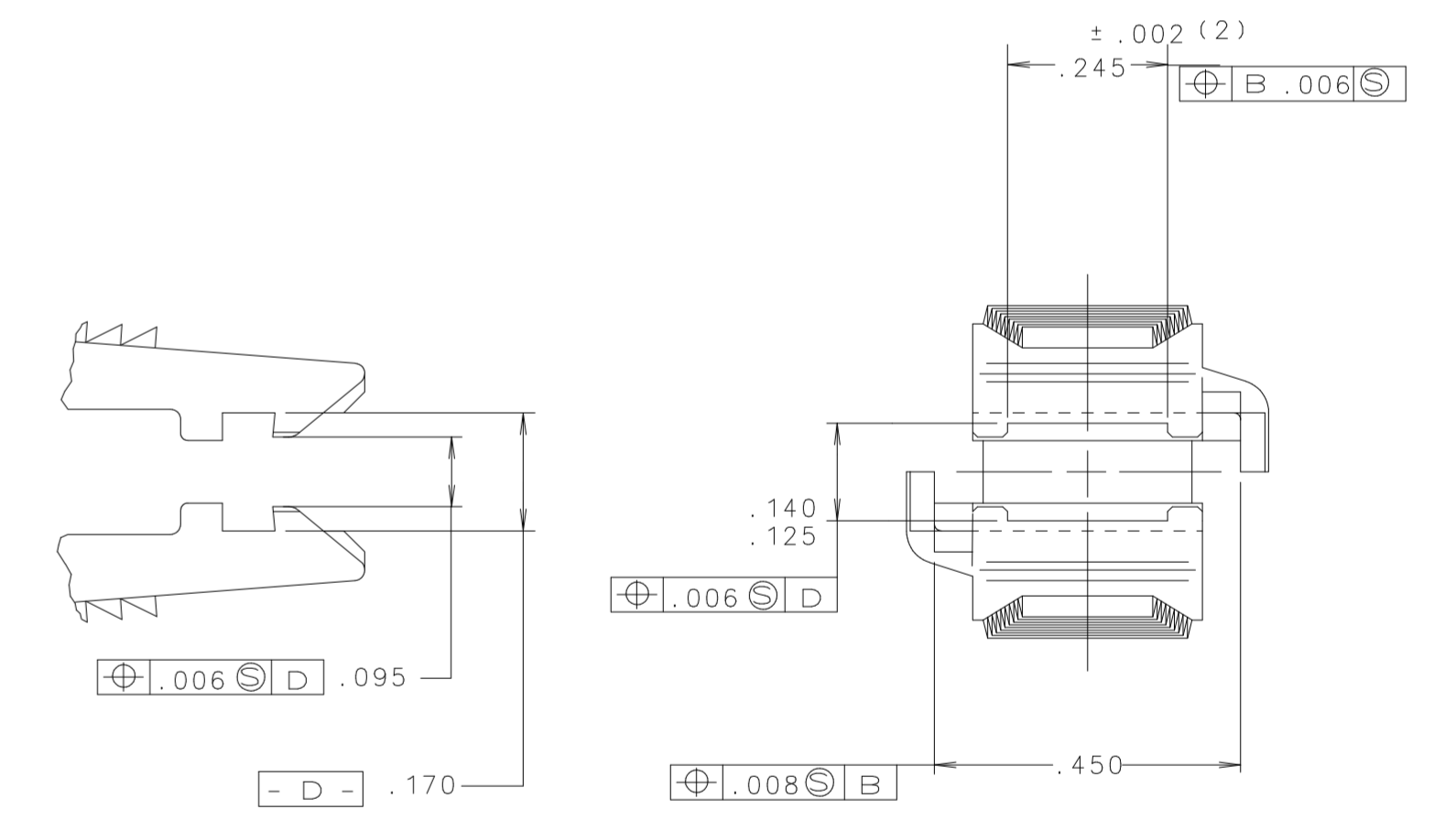
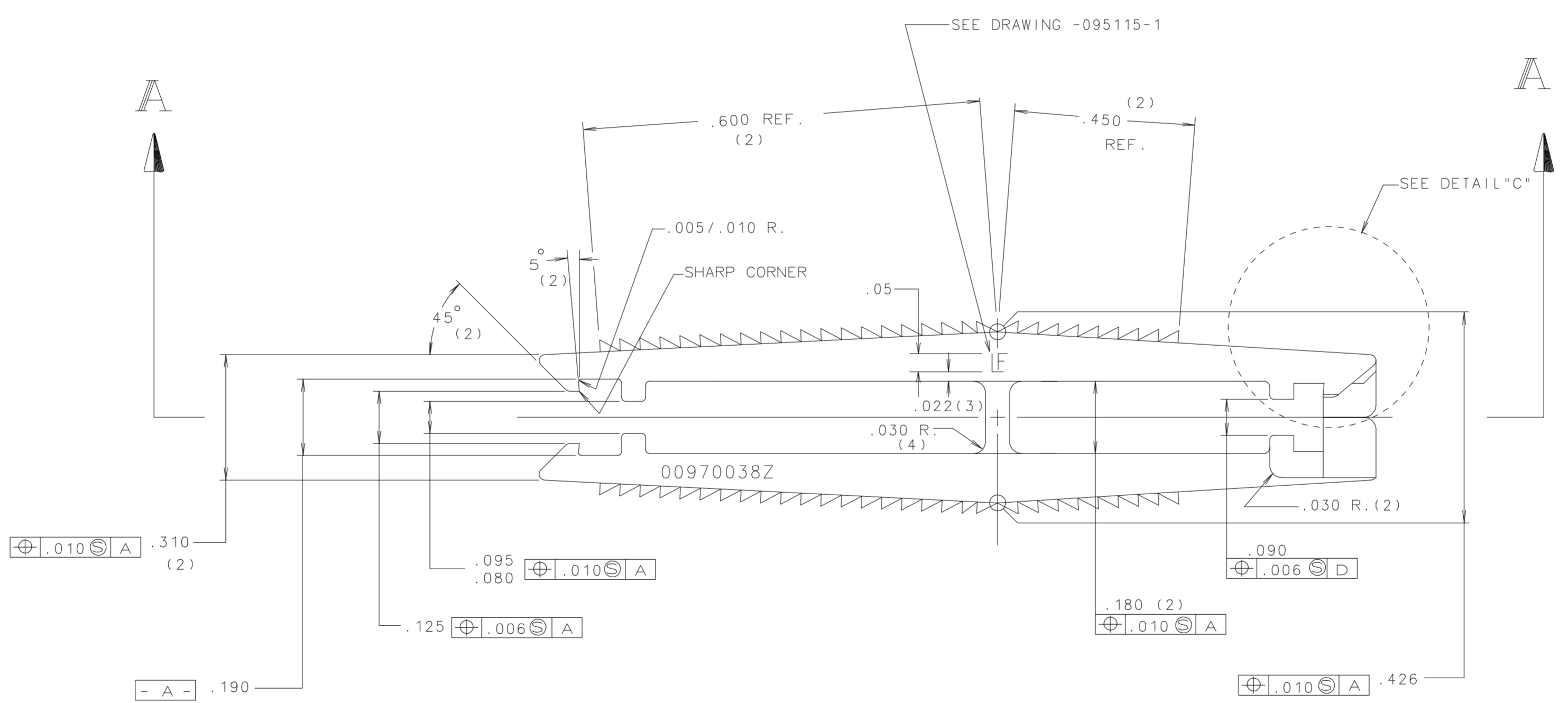
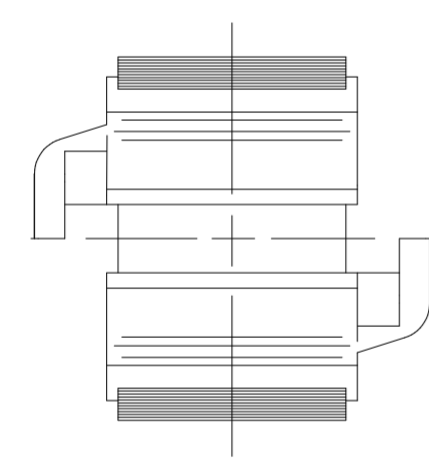
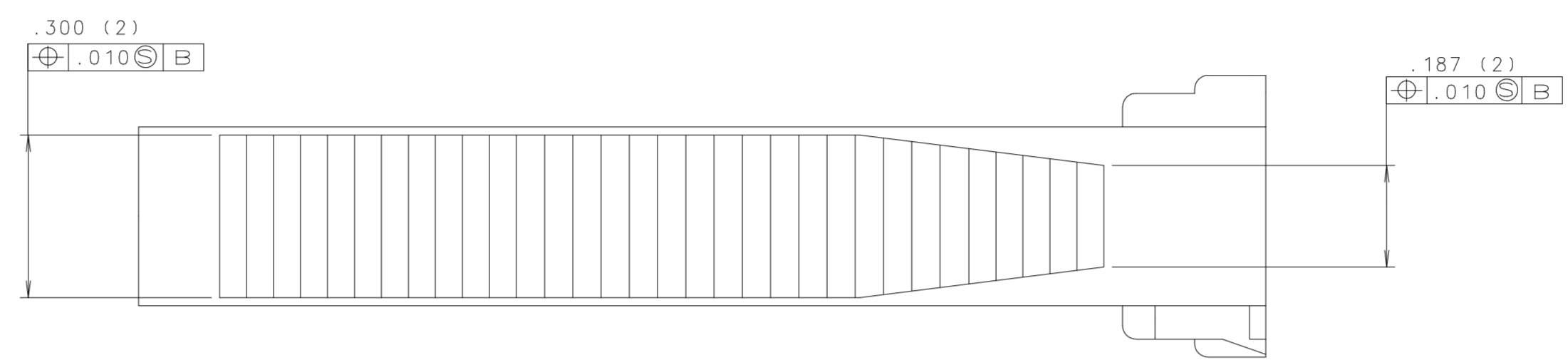
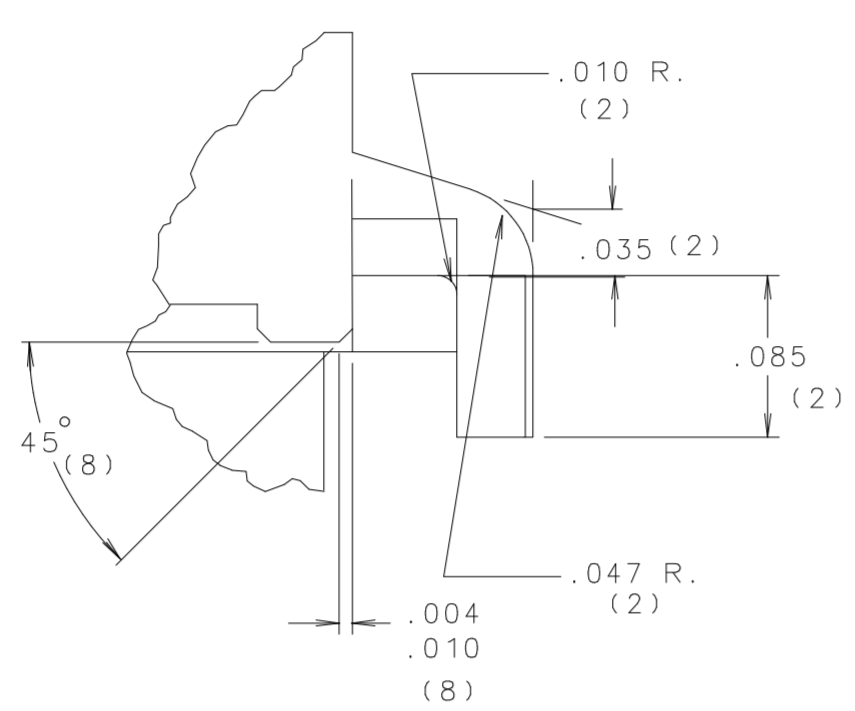
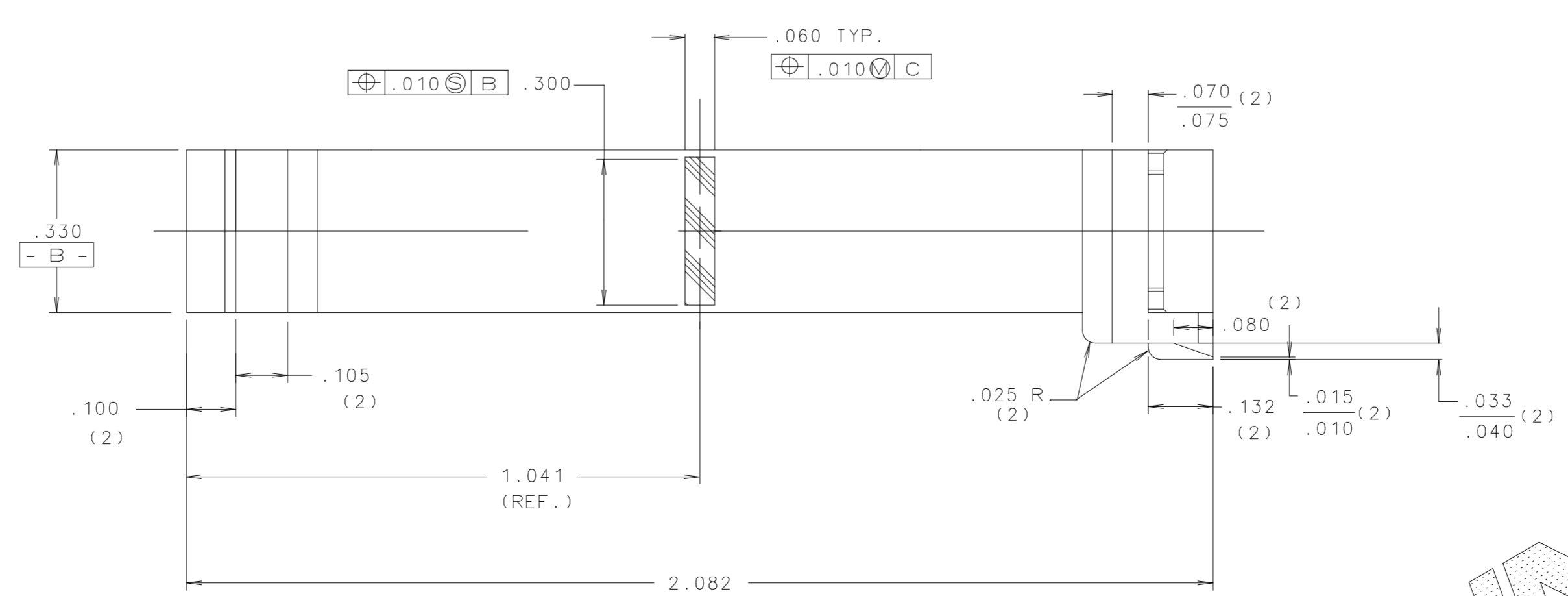


DETAIL "C"



FUSE END GUIDES NOT SHOWN IN THIS VIEW.



SECTION A-A

| LTR | DATE | REVISION | CHK | APD |
|-----|----------|--|-----|-----|
| A | 11/12/98 | 07735- RELEASED | JMB | |
| B | 08/03/07 | 855436-CHG MATERIAL FROM 057321 TO 057348 AND 057892 | DHM | |

NOTES

- UNLESS OTHERWISE SPECIFIED:
- 1/2 DEGREE MAXIMUM DRAFT PER SIDE.
 - EJECTOR PIN MARKS TO BE FLUSH TO .008 BELOW SURFACE.
 - MAXIMUM FLASH LIMITS: .003" HEIGHT, .005" WIDTH.
 - ALL DIMENSIONS ARE TYPICAL FOR REPEATED FEATURES.
 - Ø END "A" & END "B" MUST BE CAPABLE TO BE SQUEEZED TO BOTTOM AND RETURN TO ITS NORMAL POSITION.
 - LETTERING: .031 HIGH GOTHIC CHARACTERS, .003/.010 RAISED.
 - ALL INTERNAL RADII TO BE .015 MAX..
 - PACK 5000 PCS IN -890-750 POLYETHYLENE BAG. CLOSE WITH WIRE TIE -890-471. PLACE IN BOX -580143. LABEL BOX WITH COMPUTER GENERATED LABEL -914-796 AND SEAL WITH -088120 TAPE.

| NO | COMPONENT NO | DESCRIPTION | QTY/M | U/M |
|----|--------------|-------------------|-------|-----|
| - | 914-796 | LABEL, BAR CODE | .2 | EA |
| - | 890-750 | POLY BAG | .2 | EA |
| - | 580143 | CARTON | .2 | EA |
| - | 057348 | NYLON RESIN | 5.726 | LB |
| - | 057892 | COLOR CONCENTRATE | .117 | LB |

| BILL OF MATERIAL | | | | | |
|---|--|----------|----------|------------|-----------|
| Ø | DENOTES OPTICAL CHARACTERISTICS. | | | | |
| CPK | DENOTES CPK DIMENSIONS - MINIMUM CPK VALUE | | | | |
| ST | DENOTES A CHARACTERISTIC THAT PROVIDES AN INDICATION OF PROCESS PERFORMANCE - MEASURE FOR MEASUREMENT AND TRACKING TO BE DEFINED IN LIFE FUSE INSPECTION INSTRUCTIONS. | | | | |
| CP | DENOTES CP DIMENSIONS - MINIMUM CP VALUE MUST BE WITHIN THE DIMENSIONAL LIMITATIONS ALLOWED FOR MAXIMUM TOOL LIFE. | | | | |
| COPIES TO: 1 9 18 FINISH 2 10 26 3 12 20 4 13 21 5 14 23 6 15 33 7 16 43 8 17 53 | | | | | |
| DRW | JMB | DATE | 11/10/98 | SCALE | 2:1 |
| CHK | | DATE | | SUPER DR | |
| APPD | | DATE | | RAW STK WT | |
| TOLERANCE UNLESS OTHERWISE SPECIFIED FRACTION ± THREE PLACE DEC ±.005 ANGULAR ±1° | | | | | |
| TITLE FUSE INSERTER AND EXTRACTOR (STD. & MINI ATQ FUSES) | | | | | |
| LITTELFUSE | | REVISION | B | DRW. NO. | 00970038Z |
| DES PLAINES, ILLINOIS 60016 | | FINAL | | | |

UNCONTROLLED DOCUMENT

NO PERMIT CHANGES ALLOWED