

ALUMINUM ELECTROLYTIC CAPACITORS



Premium Grade Type, For Audio Equipment



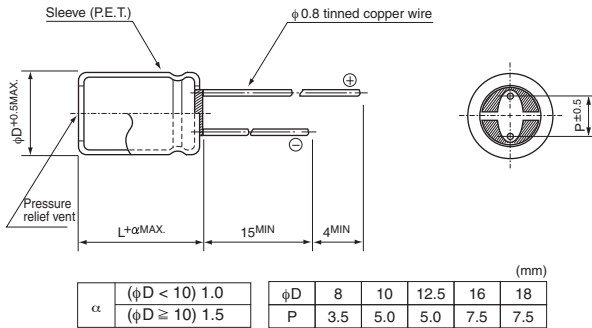
- Premium grade “nichicon MUSE” acoustic series.
- Ideally suited for first class audio equipment where qualitative and quantitative comfortableness is required.
- Compliant to the RoHS directive (2011/65/EU).



Specifications

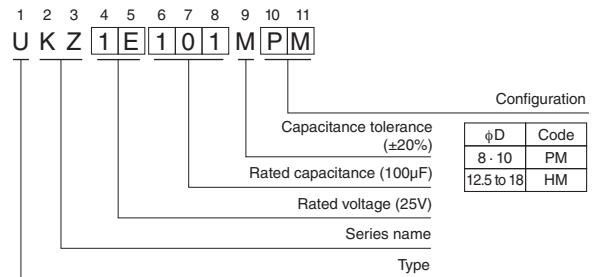
Item	Performance Characteristics			
Category Temperature Range	-40 to +85°C			
Rated Voltage Range	25 to 100V			
Rated Capacitance Range	10 to 1000μF			
Capacitance Tolerance	±20% at 120Hz, 20°C			
Leakage Current	After 1 minute's application of rated voltage at 20°C, leakage current is 0.01CV or less.			
Tangent of loss angle (tan δ)	Measurement frequency : 120Hz at 20°C			
	Rated voltage (V)	25	50	100
Stability at Low Temperature	Measurement frequency : 120Hz			
	Rated voltage (V)	25	50	100
Endurance	Capacitance change	Within ±20% of the initial capacitance value		
	tan δ	150% or less than the initial specified value		
Shelf Life	ZT / Z20 (MAX.)	Z-25°C / Z+20°C	2	2
	Z-40°C / Z+20°C	4	3	3
Marking	Leakage Current	Less than or equal to the initial specified value		
	After storing the capacitors under no load at 85°C for 1000 hours and then performing voltage treatment based on JIS C 5101-4 clause 4.1 at 20°C, they shall meet the specified values for the endurance characteristics listed above.			
Printed with gold color letter on black sleeve.				

Radial Lead Type



• Please refer to page 20 about the end seal configuration.

Type numbering system (Example : 25V 100μF)



Dimensions

		φD × L (mm)			
Cap.(μF)	V	25	50	100	
	Code	1E	1H	2A	
10	100				8 × 11.5
22	220		8 × 11.5		10 × 16
33	330	8 × 11.5	10 × 12.5		10 × 20
47	470	10 × 12.5	10 × 16		12.5 × 20
100	101	10 × 16	12.5 × 20		16 × 25
220	221	12.5 × 20	16 × 25		16 × 35.5
330	331	12.5 × 25	16 × 31.5		18 × 35.5
470	471	16 × 25	16 × 35.5		
1000	102	16 × 35.5	18 × 40		

Please refer to page 20, 21, 22 about the formed or taped product spec.
Please refer to page 4 for the minimum order quantity.