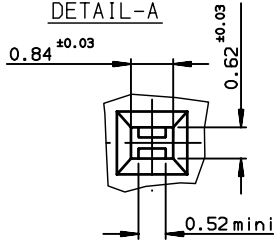
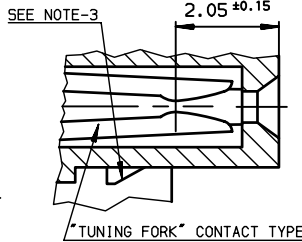


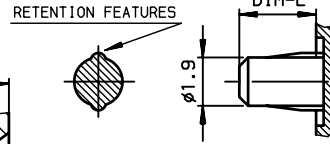
DETAIL-A



SECTION-FF



DETAIL OF PRESS-IN PEGS



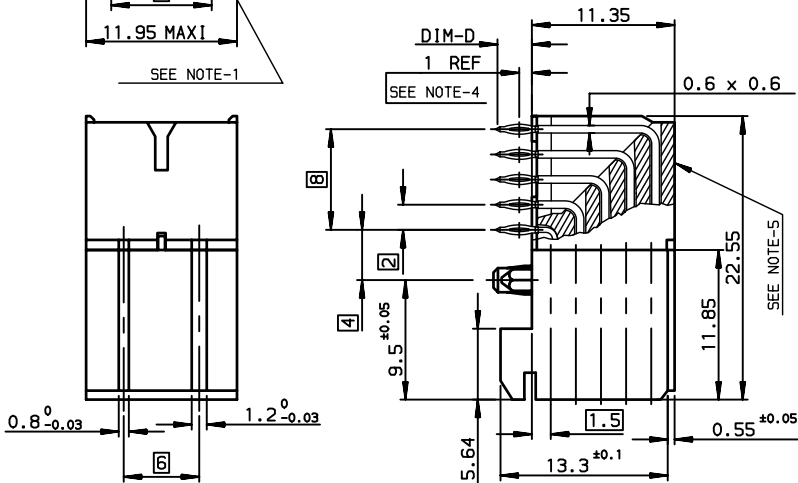
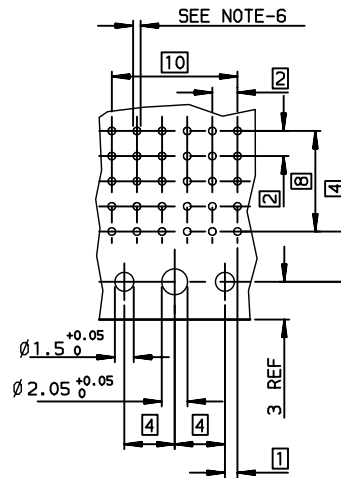
TIN LEAD PART NUMBER

Part Number: HM1F51FDP000H6		
TERMINATION TYPE	D = 2.90 ±0.3	L = 3 ±0.05

LEAD-FREE PART NUMBER

Part Number: HM1F51FDP000H6LF		
TERMINATION TYPE	D = 2.90 ±0.3	L = 3 ±0.05

LAYOUT FOR P.C.B



NOTE-1: PRESS-IN RETENTION PEG

NOTE-2: CONNECTORS WITH PCB=2.4mm ARE COMPATIBLE WITH WIDE AND NARROW BODIES

NOTE-3: PLUG FOR CODING KEY FIXING

NOTE-4: EYE OF THE NEEDLE PRESS-FIT CTS TYPE

NOTE-5: FLAT ROCK INSERTION TOOLING IN PCB, SEE DRW REF:C-8626-1003

NOTE-6: METALIZED HOLE DEFINITION,SEE GS-12-447

NOTE-7: IF SUFFIX "P" IS ADDED IN P/N, PACKAGING IS IN TRAYS, BUT CONNECTOR MARKING IS WITHOUT "P"  
Example : HM1FxxxxxxxH6PLF, marking:HM1FxxxxxxxH6LF

GENERAL CHARACTERISTICS AND ROHS INFORMATIONS:

SEE GS-12-447

European Views

www.fciconnect.com		surface ISO 1302 ✓	tolerance std ISO 406 ISO 1101	projection mm
TOLERANCES UNLESS OTHERWISE SPECIFIED				
Dr	CHAMPION	1991/09/25	ANGULAR	LINEAR
Eng	CHAMPION	1991/09/25	0.X	±0.1
Chr	LEGARE	1991/09/25	0.XX	±0.1
Appr	LEGARE	1991/09/25	0.XXX	±0.1
Product family			METRAL	
Title			METRAL FEMALE 5R 30 WAY	
catalog no			C-8626-0072	
Rev.			G	

rev	ecn no	dr	date
C	-	SPE	2002/09/23
D	LS05-004	MLE	2005/02/17
E	LS06-0095	LGO	2006/06/30
F	LS06-0159	MLE	2006/10/16
G	LS07-0266	MLE	2007/11/06
-	-	-	-
-	-	-	-