

SPECIFICATIONS

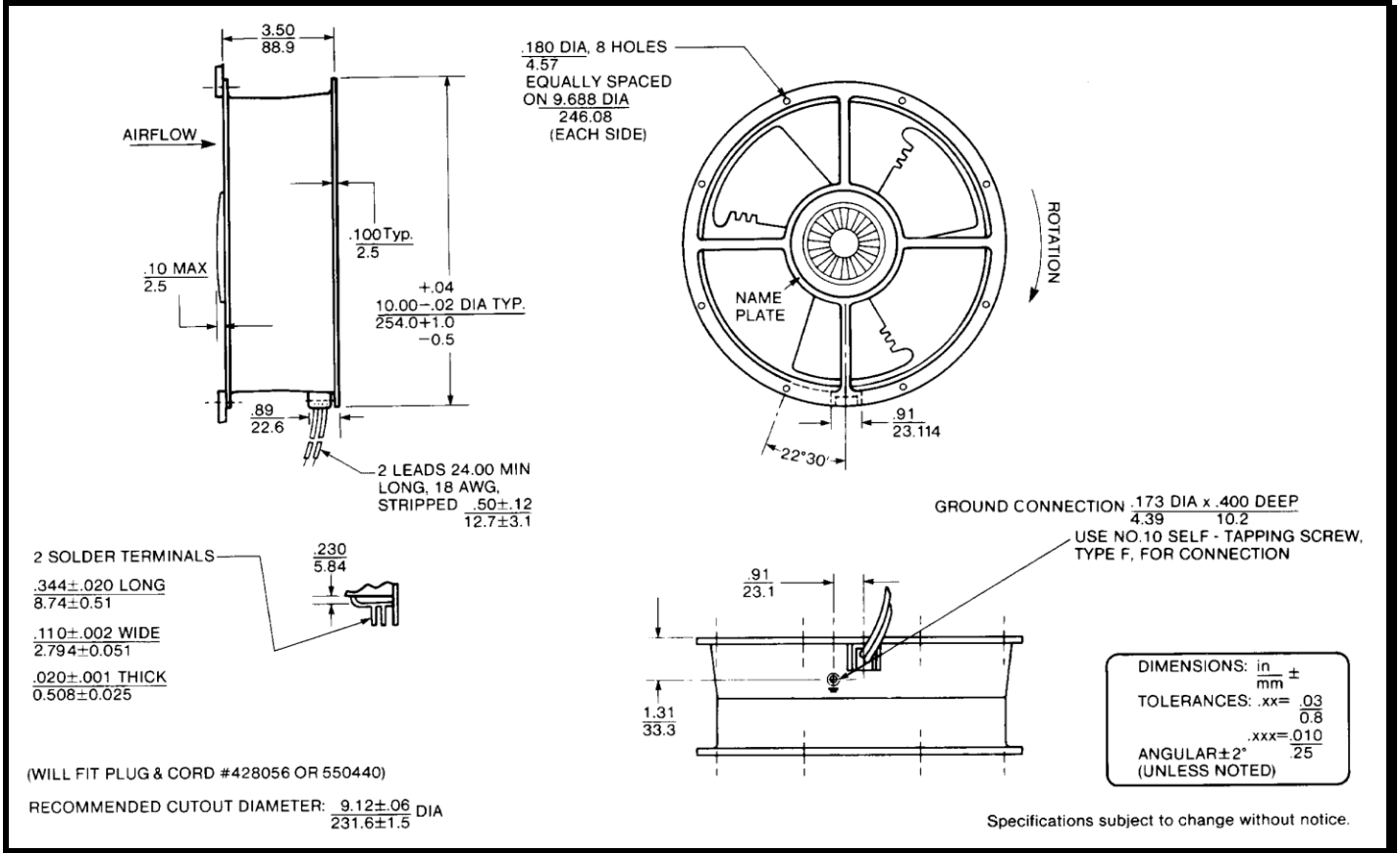
(RoHS Compliant)



Model Number: CLE3T2
Part Number: 19020191A

Version: 02
Aug 07, 2018

Mechanical Drawing:



Motor:

Nominal Voltage = 230 VAC
 Frequency = 50 / 60 Hz
 Nominal Running Current = 0.24 / 0.25 Amps
 Max. Locked Rotor Current = 0.355 amps
 Running Power = 60/60 Watts
 Average Speed = 1400 / 1650 RPM
 Bearings = Ball
 Air Flow = 455 / 550 CFM
 Acoustic = 45.4 / 49.2 dBA

Construction:

Venturi: Single Piece Die Cast Aluminum, Black
 Propeller: Plastic, Black, UL 94V-0

Life Expectancy:

This fan is designed for continuous duty life of 46,000 hours at 70°C.

Additional Features:

Permanent Split Capacitor Motor
 Automatic Reset Thermal Protector
 Feathered Edge Propeller
 Operating Temperature: -10°C to 70°C
 Storage Temperature: -40°C to 85°C

Termination:

2 x 0.110" Terminals

Agency Approvals:

UL, CUL, CE

PQ Curve:

