

**Technical specification:**

Rated voltage: 30 V  
 IEC 61076-2-101  
 Current rating: 2 A at 40°C  
 IEC 61076-2-101  
 Insulation resistance: >=100 MΩ  
 IEC 60512  
 Pollution degree: 3/2  
 IEC 60664-1  
 Degree of protection: IP 67, in mated condition  
 IEC 60529  
 Temperature range: -30°C ... +85°C  
 EN 60512-11-10  
 -40°C  
 EN 60512-11-4  
 -40°C ... +85°C  
 Mating cycles: >=100  
 IEC 60512-9a

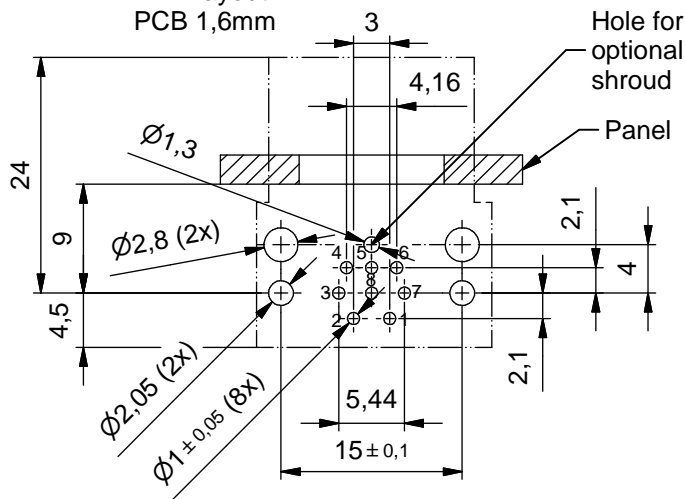
**Materials:**

Contact: CuZn, Ni b / Au 0,2 gal.  
 Contact carrier: PA GF, UL 94 V-0  
 Sealing: FPM / NBR  
 Socket housing: CuZn, nickel plated  
 Shroud: spring steel, nickel plated

**Installation specification:**

recommended torque: 0,8-1 Nm  
 Conec installation tool: Torque wrench: 36-000200  
 Insert across flats 14: 36-000370  
 Insert across flats 15: 36-000320

Pin Layout PCB 1,6mm



| Part no: | Description:       | Pos | Note:       |
|----------|--------------------|-----|-------------|
| 43-02739 | SAL - 12 - FKHW8   | 8   |             |
| 43-02740 | SAL - 12S - IFKHW8 | 8   | with shroud |

DO NOT ALTER CAD DRAWING BY HAND

RoHS & REACH compliant

Index: a 11.05.16 fro Ä4884  
 data sheet revised, width across flats was 15 ist 14

|       | date     | name     |
|-------|----------|----------|
| drawn | 07.01.16 | Böckeler |
| appd. | 07.01.16 | Fromm    |

general tolerance:

|      |          |
|------|----------|
| 0    | ± 0,50mm |
| 0,0  | ± 0,25mm |
| 0,00 | ± 0,10mm |
| *    | ± 1,5°   |

THIS DRAWING MAY NOT BE COPIED OR REPRODUCED IN ANY WAY, AND MAY NOT BE PASSED ON TO A THIRD PARTY WITHOUT WRITTEN PERMISSION. OWNERSHIP AND COPYRIGHT OF CONEC GmbH

dim. in mm

title:  
**Female socket M12x1 angled, backmounting, dip solder**

dwg no:  
**43K1A3071**

part no:  
 see table