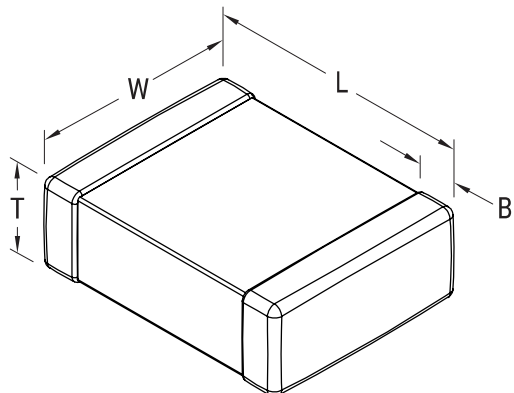


KEMET Part Number: M3253505E1C102JZMB-T&R
(C1206K102J2EML7189)



SMD MIL C0G PRF32535, Ceramic, Military/High Reliability, 1000 pF, 5%, 200 VDC, C0G, SMD, Low ESR, MIL-PRF-32535, N/A, 1206



| General Information | |
|---------------------|-----------------------------|
| Supplier: | KEMET |
| Series: | SMD MIL C0G PRF32535 |
| Style: | SMD Chip |
| Description: | SMD, Low ESR, MIL-PRF-32535 |
| RoHS: | No |
| Termination: | Solder Plated |
| Failure Rate: | N/A |
| Qualifications: | MIL-PRF-32535 M-Level |
| Chip Size: | 1206 |

| Dimensions | |
|------------|---|
| L | 3.2mm +/-0.25mm (0.126 in +/-0.01 in) |
| W | 1.6mm +/-0.25mm (0.063 in +/-0.01 in) |
| T | 1.78mm MAX (0.07 in MAX) |
| B | 0.51mm +/-0.36mm (0.02 in +/-0.014 in) |

| Specifications | |
|----------------------------------|---------------------|
| Capacitance: | 1000 pF |
| Capacitance Tolerance: | 5% |
| Voltage DC: | 200 VDC |
| Dielectric Withstanding Voltage: | 500 V |
| Temperature Range: | -55/+125C |
| Temperature Coefficient: | C0G |
| Dissipation Factor: | 0.15% 1MHz 25C |
| Aging Rate: | 0% Loss/Decade Hour |
| Insulation Resistance: | 100 GOhms |

| Packaging Specifications | |
|--------------------------|------|
| Packaging: | T&R |
| Packaging Quantity: | 4000 |

Statements of suitability for certain applications are based on our knowledge of typical operating conditions for such applications, but are not intended to constitute - and we specifically disclaim - any warranty concerning suitability for a specific customer application or use. This Information is intended for use only by customers who have the requisite experience and capability to determine the correct products for their application. Any technical advice inferred from this Information or otherwise provided by us with reference to the use of our products is given gratis, and we assume no obligation or liability for the advice given or results obtained.



© 2006 - 2018 IntelliData.net