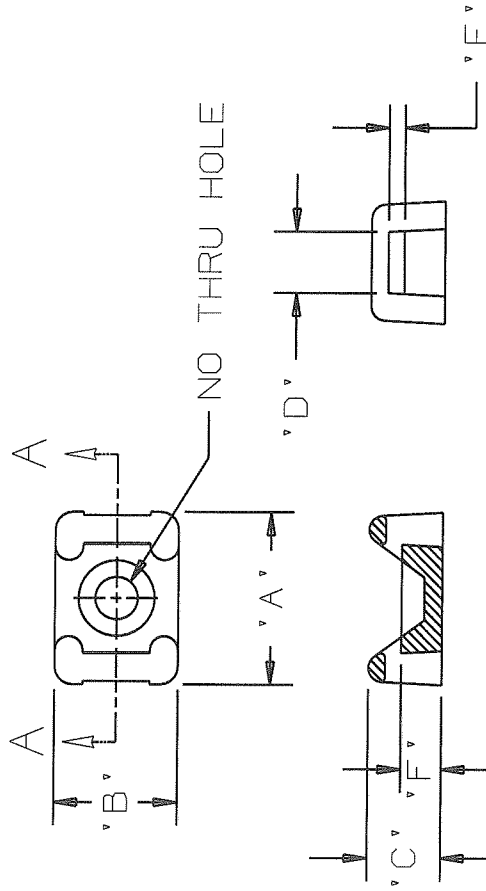


THIS COPY IS PROVIDED ON A RESTRICTED BASIS AND IS NOT TO BE USED IN ANY WAY DETRIMENTAL TO THE INTERESTS OF PANDUIT CORP.

PANDUIT PART NO.	MATERIAL SUFFIX	'A'	'B'	'C'	'D'	'E'	'F'	USE WITH THESE CABLE TIE CROSS SECTIONS	WEIGHT (g) lbs/100 pcs.
TM1A	NONE	.513 (13.0)	.316 (8.0)	.230 (5.8)	.130 (3.3)	.067 (1.7)	.125 (3.2)	MINIATURE ONLY	.07 (31.8)
TM2A	NONE -39	.630 (16.0)	.425 (10.8)	.275 (7.0)	.215 (5.5) ±.020 ±(.5)	.060 (1.5) ±.020 ±(.5)	.155 (3.9)	MINIATURE INTERMEDIATE STANDARD	.15 (67.9)
TM3A	NONE	.875 (22.2)	.620 (15.8)	.375 (9.5)	.320 (8.1) ±.020 ±(.5)	.088 (2.2) ±.020 ±(.5)	.210 (5.3)	MINIATURE INTERMEDIATE STANDARD LIGHT HEAVY	.36 (163.4)



SECTION A - A

MATERIAL SUFFIX	MATERIAL	COLOR
NONE	NYLON 6/6	NATURAL
-39	HEAT STABILIZED NYLON	NATURAL

NOTE:

- SEE CURRENT PRICE SHEET FOR PART NUMBER SUFFIX DESIGNATION FOR PACKAGE SIZE.
- CUSTOMER MUST SUPPLY ADHESIVE FOR FASTENING.

DIMENSIONS IN BRACKETS ARE METRIC [mm]

CHD FILENAME/LAYERS G03597JV_DC_GB0239CM/00B



PANDUIT CORP. TINLEY PARK, ILLINOIS

TIE MOUNT - TM_A

UNLESS OTHERWISE SPECIFIED, DIMENSIONAL TOLERANCES ARE: (.X) ±0.05 (1.3) (1.XXX) ±0.010 (0.25) (.XX) ±0.02 (0.5) ANGLES ± 5°	UNLESS OTHERWISE SPECIFIED, ALL DIMENSIONS ARE GIVEN IN INCHES, THIRD ANGLE PROJECTION.
DRAWN BY: GDH	SCALE: NONE
DATE: 02-20-95	DRAWING NO. GB0239CM
CHK'D: KLN	SIZE: A

REV	DATE	BY	CHK	DESCRIPTION	ECN	R	CUST	SUP
00B	10/01/08	ARHA		-39 MATERIAL ADDED; TABLES MODIFIED; CHANGED FILENAME AND REVISION STYLE.	00B		KLN	
7	8-16-02	LGG		CHG TM3A DIM ON 'E' (WAS .089(2.3) ADDED ± TO 'E' & 'D' FOR TM2A & TM3A	7			
6	07-31-00	GDH		TM3A DIM. 'E' WAS: .080(12.0), ±.020(1.5)	6			
5	7-19-99	CGSM		REMOVED BOLD FONTS FROM DIM TABLE	5			